

2-WAY & 3-WAY 1/8" & 1/4" SOLENOID VALVES

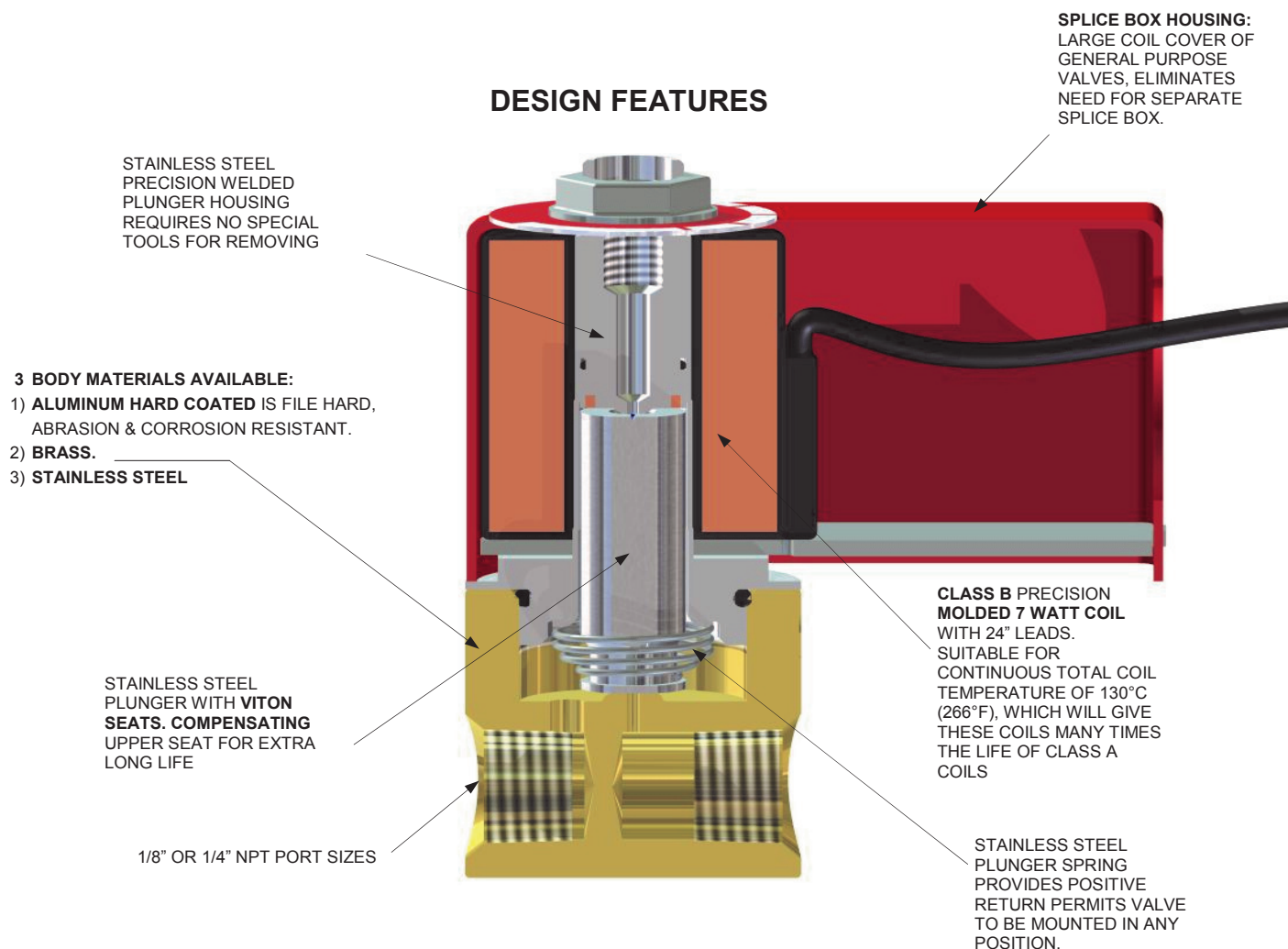
A LINE OF OUTSTANDING 2-WAY & 3-WAY SOLENOID VALVES

**SMALLER IN SIZE • GREATER Cv FACTORS
LESS POWER REQUIRED • SIMPLICITY IN WIRING
ACHIEVED THROUGH
SUPERIOR DESIGN AND DIMENSIONAL QUALITY CONTROL**

3-WAY VALVES are available as Normally Closed, Normally Open or Multi-Purpose.

2-WAY VALVES are available as Normally Closed or Normally Open. All types can be supplied in various operating pressure ranges with 1/8" or 1/4" N.P.T. Ports. To satisfy a wide variety of applications, the valve bodies are offered in Hardcoated Aluminum, Brass or Stainless Steel.

DESIGN FEATURES



Voltages: 12, 24, 120 & 240/60 AC and 6, 12 & 24VDC are standard.
Special voltages available upon request.

Temperature Range: - 40°F to + 190°F.

Orifices: From 3/64" to 1/8".

Pressures: Vacuum To 250 P.S.I.

Media: Pneumatic & Hydraulic.

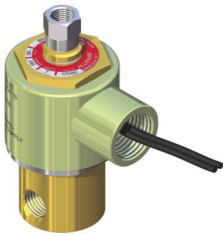
2-WAY & 3-WAY 1/8" & 1/4" SOLENOID VALVES

EXPLOSION-PROOF

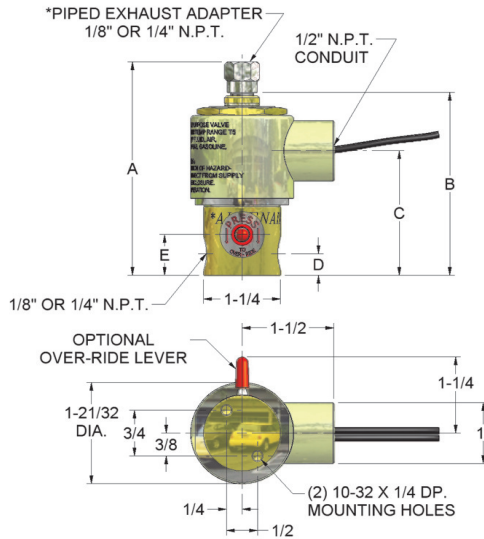
THE SMALLEST 2-WAY 3-WAY EXPLOSION-PROOF SOLENOID VALVES WITH STANDARD FLOW CHARACTERISTICS These valves are UL listed for use in hazardous locations Class I, Groups C D (NEMA 7) and Class II, Groups E, F G (NEMA 9).



3-WAY NORMALLY CLOSED



3-WAY NORMALLY OPEN, MULTI-PURPOSE OR 2-WAY NORMALLY OPEN



DIMENSIONS EXPLOSION PROOF & NEMA 6

| DIM. | 3-WAY 1/8 & 1/4 N.P.T. | 2-WAY | |
|------|---------------------------|----------------------------------|--------------------------------------|
| | | NORMALLY CLOSED 1/8 N.P.T. | NORMALLY OPEN 1/4 & 1/4 N.P.T. |
| A | 3-1/2 | - | 3-1/2 |
| B | 3" | 2-21/32 | 2-13/16 |
| C | 2-1/32 | 1-11/16 | 1-27/32 |
| D | 23/64 | 17/64 | 21/64 |
| E | 43/64 | 31/64 | 41/64 |

*Standard on 3-Way N.O.,
M.P. and 2-Way N.O.

ADD THE PREFIX LETTER "X" TO THE CATALOG NUMBER TO SPECIFY EXPLOSION-PROOF

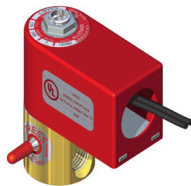
OPTIONS



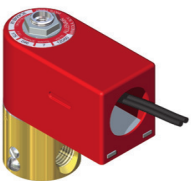
CONDUIT HOUSING: ADD THE SUFFIX LETTER "C" TO THE CATALOG NUMBER.



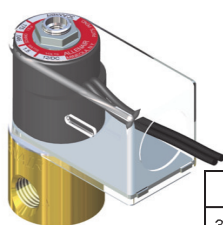
SPADE TERMINALS: ADD THE SUFFIX LETTER "Y" TO THE CATALOG NUMBER.



NON-LOCKING MANUAL OVER-RIDE LEVER: Particularly useful for set-up and electrical failure. ADD THE SUFFIX LETTER "O" TO THE CATALOG NUMBER.



METER IN: Allows adjusting of the inlet flow. ADD THE SUFFIX LETTER "M" TO THE CATALOG NUMBER (Not available with over-ride).



1.5 WATT: Available on normally closed valves with any housing or option. 6, 12 or 24VDC voltage ONLY. ADD THE SUFFIX LETTER "N" TO THE CATALOG NUMBER

| 2-WAY | 3-WAY |
|-----------------------------|------------------------------|
| 3/64" orifice 250 PSI (2CA) | 3/64" orifice 175 PSI (3CAX) |
| 1/16" orifice 200 PSI (2CB) | 1/16" orifice 150 PSI (3CBX) |



DIN-type HOUSING: DIN 43650/ ISO 4400. ADD THE SUFFIX LETTER "YD" TO THE CATALOG NUMBER.



HOUSING BRACKET: ADD THE SUFFIX LETTERS "HB" TO THE CATALOG NUMBER.

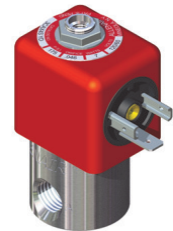


INDICATOR LIGHT: Available on Splice Box housing ONLY. Light indicates when solenoid is energized. ADD SUFFIX LETTER "L" TO THE CATALOG PART NUMBER Example: 120/60L



GROMMET HOUSING: ADD THE SUFFIX LETTER "G" TO THE CATALOG NUMBER.

NEMA 6 HOUSING: ADD THE SUFFIX "N6" TO THE CATALOG NUMBER. Coil Housing is nickel plated and epoxy filled to provide a corrosion resistant water tight barrier.



NEMA 4 HOUSING: ADD THE SUFFIX "JIC" TO THE CATALOG NUMBER

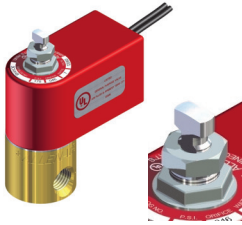


TIME-A-VALVE®: A solid state electronic timer, integral with the Allenair Solenoid Operator. See page 80.

INDUSTRIAL OXGEN SERVICE: ADD THE SUFFIX LETTERS "IOS" TO THE CATALOG NUMBER.



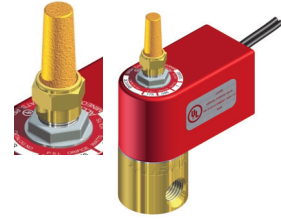
MISCELLANEOUS INFORMATION & ACCESSORIES



ADJUSTABLE EXHAUST
Available for 3-way normally closed only.
PART NUMBER EA-21

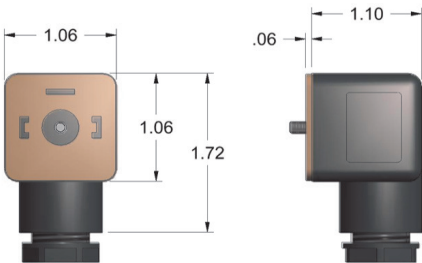


PIPED EXHAUST
Available for 3-way normally closed only.
Only in 1/8 N.P.T. or 1/4 N.P.T.
PART NUMBER
1/8 N.P.T. EA-19
1/4 N.P.T. EA-19-4



FILTER SILENCER
Available for top exhaust
Port on 3-way valves.
PART NUMBER EA-27
Also available for Body Ports
S-1/8 FOR 1/8 N.P.T.
S-1/4 FOR 1/4 N.P.T.

NOTE: ACCESSORIES MUST BE ORDERED AS SEPARATE ITEMS.

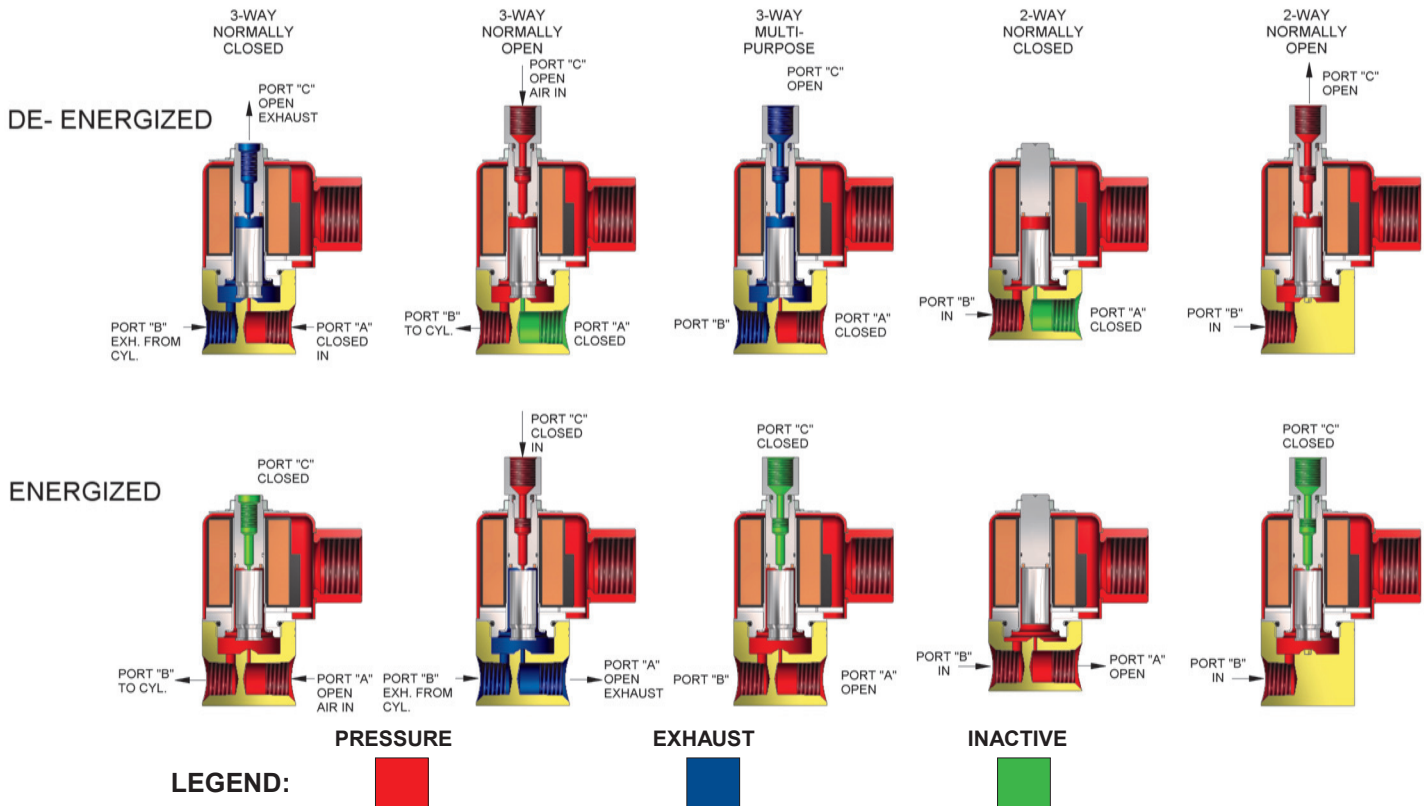


| PART NO. | STRAIN RELIEF | CONDUIT | VOLTAGES | | LIGHTED |
|----------|---------------|---------|---------------|--------|---------|
| | | | AC | DC | |
| EA-310 | .24 TO .31 | --- | 250-50/60 | 300 | NO |
| EA-320 | .31 TO .41 | --- | 250-50/60 | 300 | NO |
| EA-330 | .24 TO .31 | --- | 6-48-50/60 | 6-48 | YES |
| EA-340 | .31 TO .41 | --- | 6-48-50/60 | 6-48 | YES |
| EA-350 | .24 TO .31 | --- | 100-240-50/60 | 48-120 | YES |
| EA-360 | .31 TO .41 | --- | 100-240-50/60 | 48-120 | YES |
| EA-370 | --- | 1/2" | 250-50/60 | 300 | NO |
| EA-380 | --- | 1/2" | 6-48-50/60 | 6-48 | YES |
| EA-390 | --- | 1/2" | 100-240-50/60 | 48-120 | YES |

All connectors are rated for 10 amp service and are supplied with a silicon gasket (EA-305S) rated at 125°C. The metal encased potted coil housing, when used with the appropriate female connector, is designed to fulfill NEMA requirements 1 - 4, 12 and 13.

**ALLENAIR'S FLEXIBILITY ALLOWS FOR A WIDE VARIETY OF SPECIAL VALVES.
CONTACT ALLENAIR WITH YOUR SPECIAL REQUIREMENTS.**

FLOW DIRECTION



Note: Multi-purpose valves may be operated with air inlet at Port A, B or C. Follow flow direction according to method used.