

**ALLENAIR CLAMPS** are rugged, economical units with versatile mounting for such plant applications as clamping, pressing, staking, stamping, bending and positioning. Available in Double Acting and Single Acting (Spring Return) types.

**FEATURES:** High Tensile Die Cast or Aluminum Bodies, with ground and polished 416 Stainless Steel Piston Rods. The Precision bored bodies add longer life and dependability to the BUNA-N Seals. All 1-1/8" Bore Clamps have sturdy Bronze Rod Bearings, except the AC-1x1, which utilizes the head itself for its bearing. The 2" bore Clamps have low friction, long life Nylon Rod Bearings. 150 P.S.I. maximum pressure. 250°F maximum temperature.

**FOR A WIDE RANGE OF ECONOMICAL 3-WAY & 4-WAY 1/8" VALVES SEE PAGES 72, 76 & 86.**

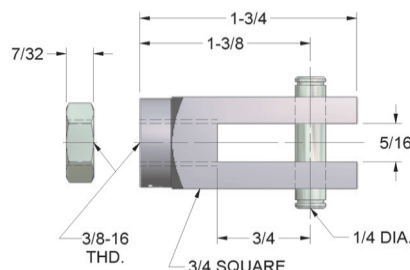
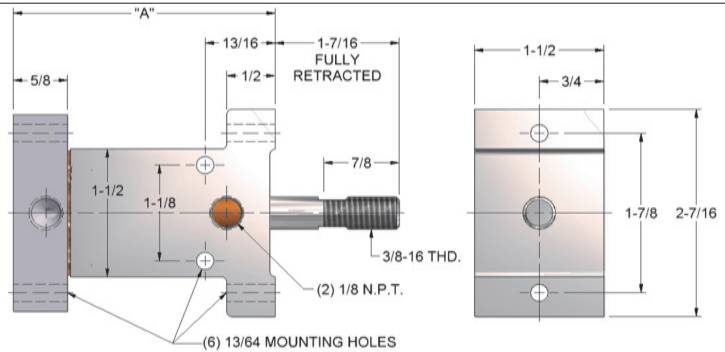
## ACD 1-1/8" BORE • DOUBLE ACTING

MODEL	STROKE
ACD-110	1"
ACD-120	2"
ACD-130	3"
ACD-140	4"



**ACD - SR 1 1/8" BORE • SPRING RETURN**  
**ACD-SRF:** Rod Normally Retracted by Spring.  
**ACD-SRR:** Rod Normally Extended by Spring.  
 Spring Force: 15 lbs. at rest; 30 lbs. full stroke

MODEL	STROKE
ACD-SRF-105	1/2"
ACD-SRR-105	1/2"
ACD-SRF-110	1"
ACD-SRR-110	1"
ACD-SRF-115	1-1/2"
ACD-SRR-115	1-1/2"
ACD-SRF-120	2"
ACD-SRR-120	2"



**A-145**  
**ROD CLEVIS, NUT & PIN**

MODEL	STROKE	"A"
ACD-110	1"	3"
ACD-120	2"	4"
ACD-130	3"	5"
ACD-140	4"	6"
ACD-SRF-105	1/2"	3"
ACD-SRR-105	1/2"	3"
ACD-SRF-110	1"	4"
ACD-SRR-110	1"	4"
ACD-SRF-115	1-1/2"	5"
ACD-SRR-115	1-1/2"	5"
ACD-SRF-120	2"	6"
ACD-SRR-120	2"	6"

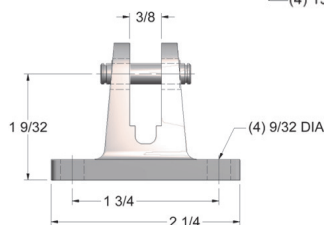
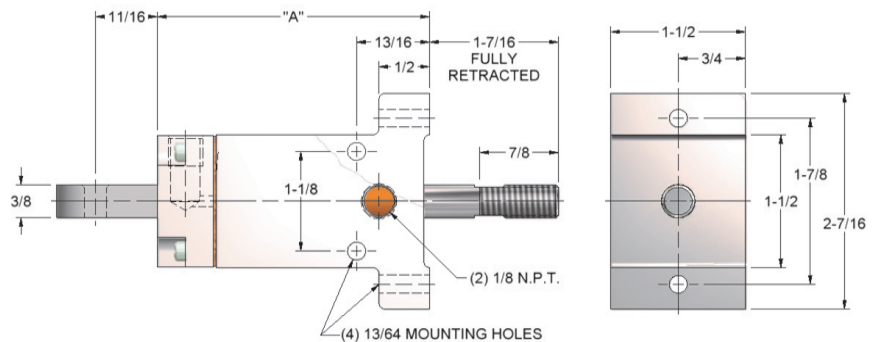
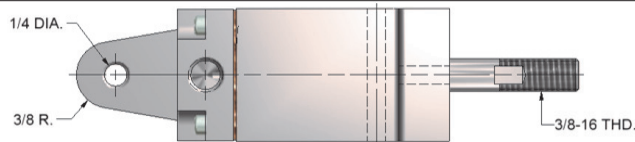
## ACDT 1-1/8" BORE • DOUBLE ACTING



MODEL	STROKE
ACDT-110	1"
ACDT-120	2"
ACDT-130	3"
ACDT-140	4"

**ACDT - SR 1 1/8" BORE • SPRING RETURN**  
**ACDT-SRF:** Rod Normally Retracted by Spring.  
**ACDT-SRR:** Rod Normally Extended by Spring.  
 Spring Force: 15 lbs. at rest; 30 lbs. full stroke

MODEL	STROKE
ACDT-SRF-105	1/2"
ACDT-SRR-105	1/2"
ACDT-SRF-110	1"
ACDT-SRR-110	1"
ACDT-SRF-115	1-1/2"
ACDT-SRR-115	1-1/2"
ACDT-SRF-120	2"
ACDT-SRR-120	2"



**A-139**  
**SWIVEL BRACKET & PIN**

MODEL	STROKE	"A"
ACDT-110	1"	3"
ACDT-120	2"	4"
ACDT-130	3"	5"
ACDT-140	4"	6"
ACDT-SRF-105	1/2"	3"
ACDT-SRR-105	1/2"	3"
ACDT-SRF-110	1"	4"
ACDT-SRR-110	1"	4"
ACDT-SRF-115	1-1/2"	5"
ACDT-SRR-115	1-1/2"	5"
ACDT-SRF-120	2"	6"
ACDT-SRR-120	2"	6"

